

COLBRAN COPPER DOUBLE WALL BASIN

Cat. No.
6851



Features:

- ▶ 16 gauge metal
- ▶ Double wall
- ▶ Includes overflow and drain opening for standard 1-1/4" drain fitting
- ▶ 1-3/8" Rim
- ▶ Available in two finishes
- ▶ Copper is a living finish and will patina over time
- ▶ Pewter will not patina under normal circumstances

Finishes:

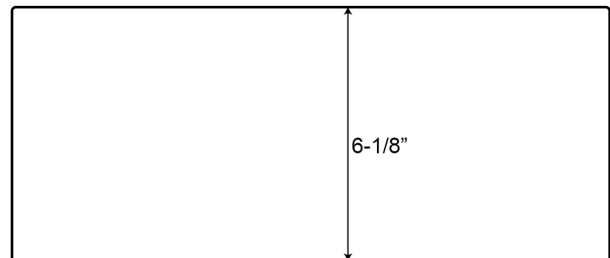
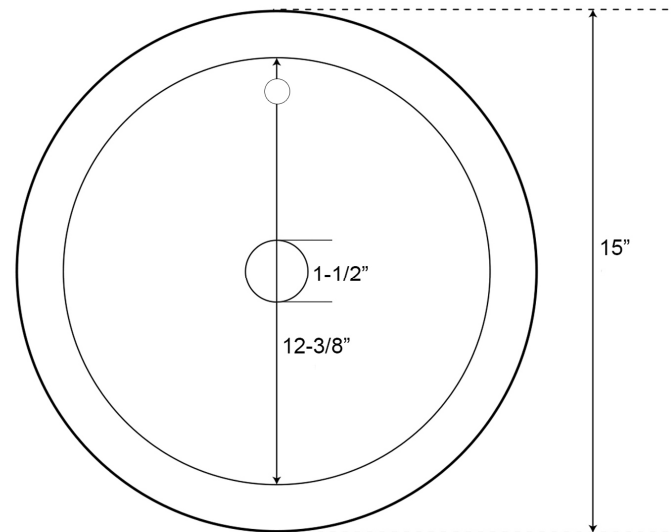
AC Hammered Antique Copper
PE Hammered Pewter

Compliance Certification
 Material is consistent with
 UNS C81100 Copper Casting
 Alloy with respect to chemical
 composition.

Basin Dimensions:

Diameter: 15"

Height: 6-1/8"



Interior Dimensions:

Basin Interior Diameter: 12-3/8"
 Basin Depth: 4-1/4"

Dimensions of fixture are nominal and may vary within the range of tolerances established.